




24 510 892

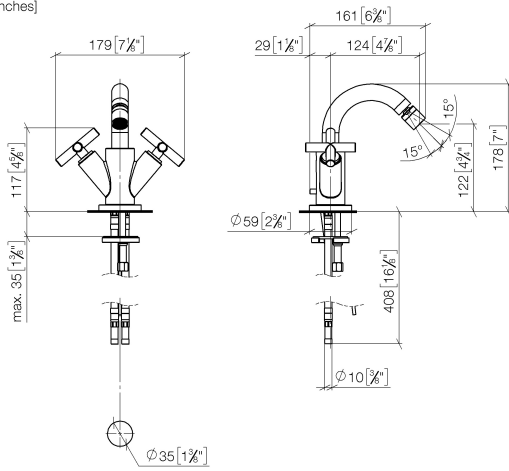


- 124mm projection
- ball-joint pivotable through 15° (in any direction)
- circular, air-enriched flow
- height of mixer 180 mm
- height up to aerator 123 mm
- hole diameter 35 mm
- rosette Ø 59 mm
- 2x screw-in M 10 x 1 pressure hose, leak-tested
- max. flow 7 l/min

| | | |
|--|-------------------------------------|---------------|
|  | Chrome | 24 510 892-00 |
|  | Brushed Platinum | 24 510 892-06 |
|  | Platinum | 24 510 892-08 |
|  | Dark Chrome | 24 510 892-19 |
|  | Brushed Durabronze (23kt Gold) | 24 510 892-28 |
|  | Matte Black | 24 510 892-33 |
|  | Brushed Champagne (22kt Gold) | 24 510 892-46 |
|  | Champagne (22kt Gold) | 24 510 892-47 |
|  | Brushed Chrome | 24 510 892-93 |
|  | Brushed Dark Platinum | 24 510 892-99 |

24 510 892

mm [inches]



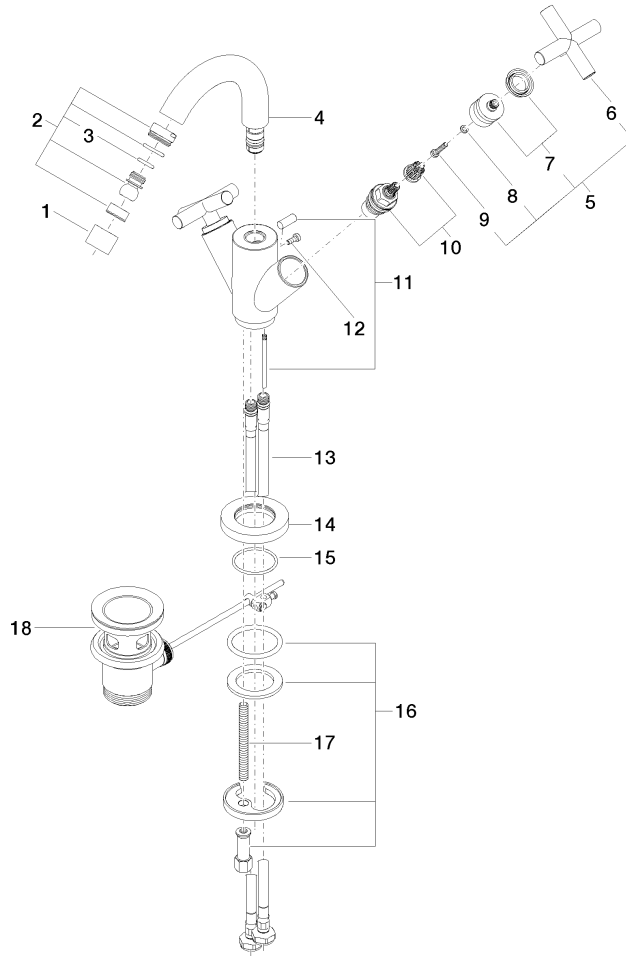
Flow rate chart



Certificates

IAPMO_4976 (5). LGA_18920.

24 510 892



Spare parts list

| No. | Item Number | Name | Quantity used | Delivery time |
|-----|--------------------|--------------|---------------|---------------|
| 1 | 90 23 01 004 05-00 | aerator | 1 | 10 |
| 2 | 04 21 40 007 00-00 | joint | 1 | 10 |
| 3 | 90 14 10 011 00 90 | seal | 1 | 2 |
| 4 | 90 28 22 216 00-00 | spout | 1 | 10 |
| 5 | 90 20 89 010 10-00 | handle | 2 | 10 |
| 6 | 09 20 89 010-00 | handle | 2 | 60 |
| 7 | 90 12 12 007 00-00 | base | 2 | 10 |
| 8 | 90 30 11 029 00 90 | disc | 2 | 2 |
| 9 | 90 30 30 075 00 90 | screw | 2 | 2 |
| 10 | 90 90 03 151 00 90 | top | 2 | 2 |
| 11 | 04 20 89 035 80-00 | pull-rod | 1 | 10 |
| 12 | 09 30 30 054 90 | screw | 1 | 2 |
| 13 | 04 30 04 104 00 90 | hose | 2 | 2 |
| 14 | 09 28 10 132-00 | ring | 1 | 10 |
| 15 | 09 14 10 134 90 | seal | 1 | 2 |
| 16 | 04 30 11 038 00 90 | fixing set | 1 | 2 |
| 17 | 09 31 11 011 90 | pin | 1 | 2 |
| 18 | 90 11 01 001 00-00 | pop-up waste | 1 | 10 |